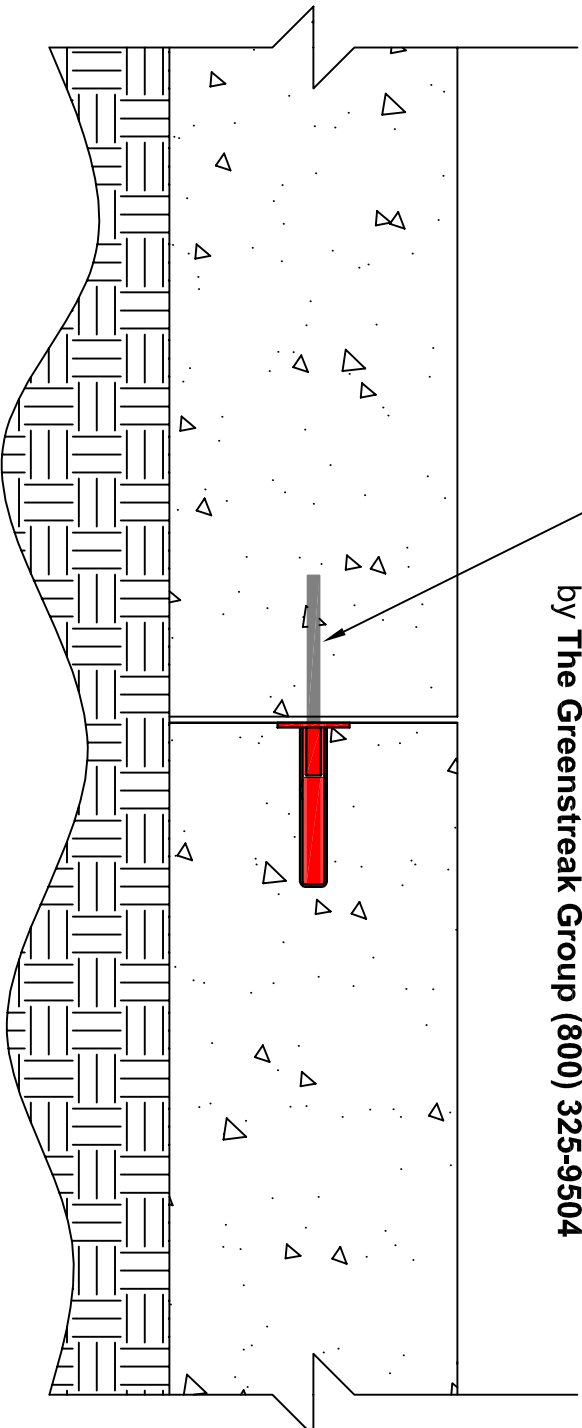


PROJECT: _____

LOCATION: _____

1/4" [or 3/8"] X 4" X 6" Speed Plate™ System
 located at _____" on center as manufactured
 by **The Greenstreak Group (800) 325-9504**



SECTION VIEW
 SCALE: 3" = 1'

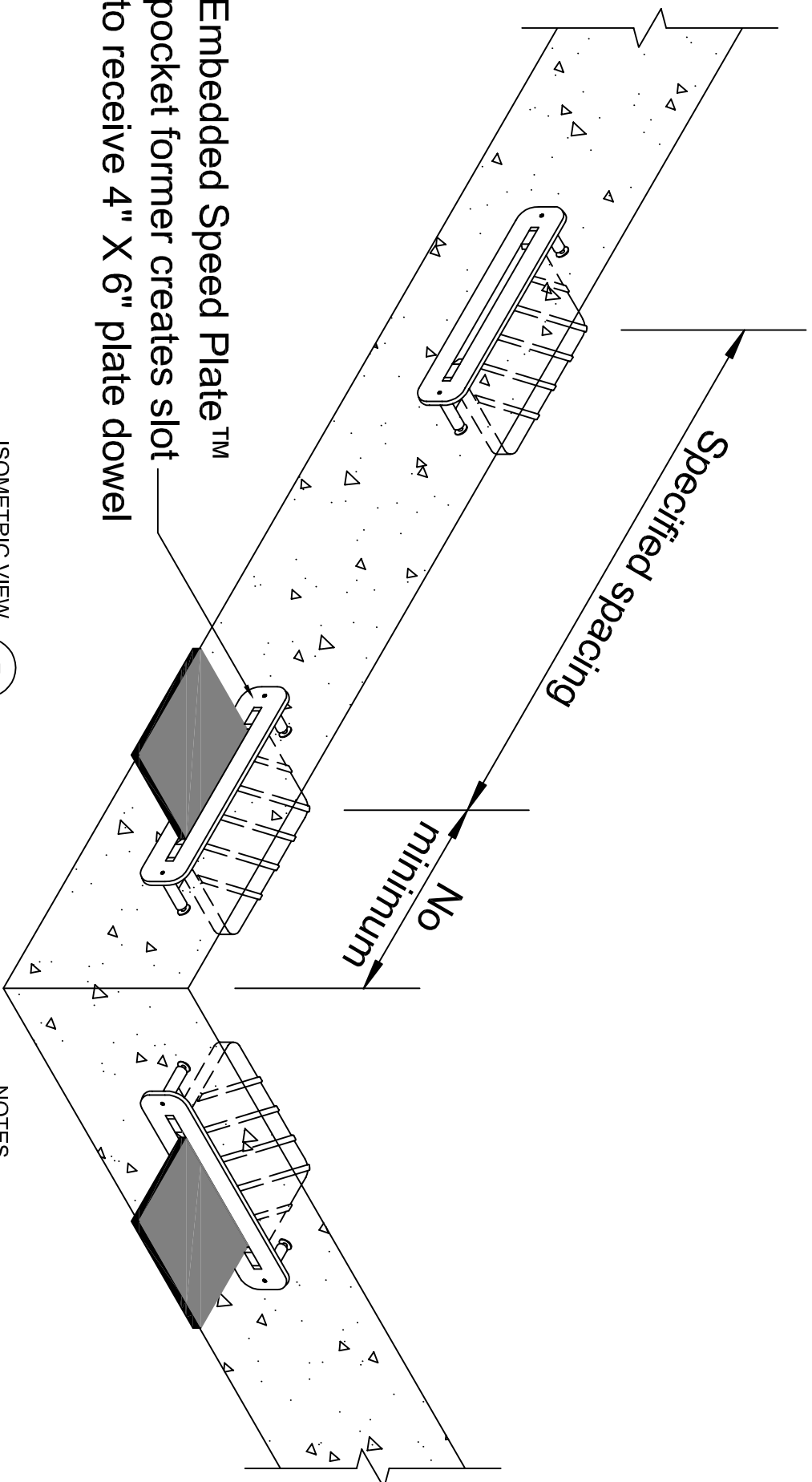
NOTES

1. Speed Plate™ assembly as manufactured by **The Greenstreak Group (800) 325-9504**.

REV. MARK	REVISION	BY	CHK	APP	DATE	DESIGNED:	DATE:	PART NUMBER:	QUANTITY REQUIRED:	SCALE:	DWG. REF. NO.:	TITLE:	REV
						DRAWN: CMD	8/1/06			AS SHOWN		GREENSTREAK 3400 TREE CRT. IND. BLVD., ST. LOUIS, MO 63122-6689 PH: 800-325-9504 (636-225-9400) FX: 636-225-2049 WEBSITE: www.greenstreak.com EMAIL: info@greenstreak.com	
						CHECKED:							GREENSTREAK SPEED PLATE™ - SECTION VIEW
						APPROVED:							
						PAB. REP.:							
						SHEET NUMBER:							

PROJECT: _____

LOCATION: _____



ISOMETRIC VIEW
SCALE: N.T.S.

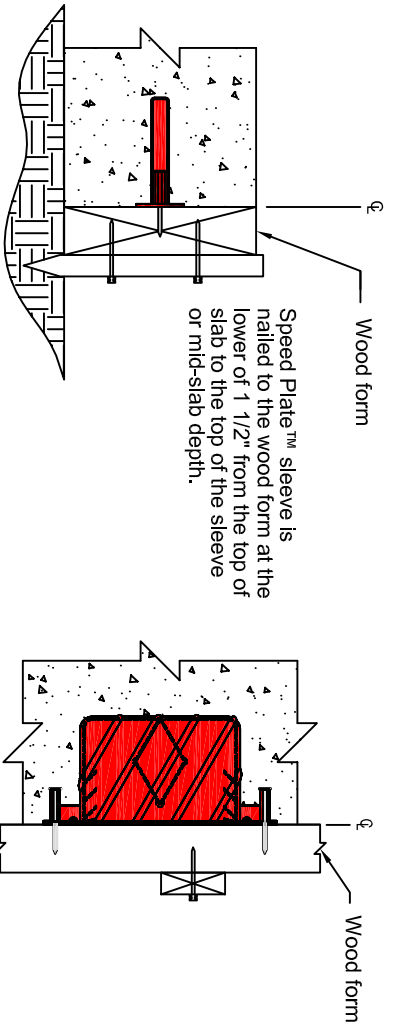
NOTES

1. Speed Plate™ assembly as manufactured by The Greenstreak Group (800) 325-9504.

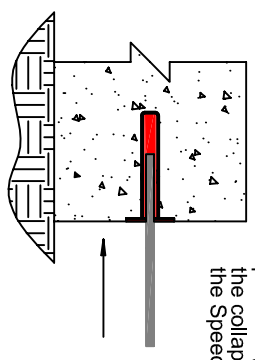
REV. MARK	REVISION	BY	CHK	APP	DATE	DESIGNED:	DATE:
						DRAWN: CMD	8/1/06
						CHECKED:	
						APPROVED:	
						FAB. REP.:	
						SHEET NUMBER:	
						PART NUMBER:	
						QUANTITY REQUIRED:	
						SCALE:	AS SHOWN
						DWG. REF. NO.:	GSK SP Isometric
						<p>GREENSTREAK</p> <p>3400 TREE CRT. IND. BLVD., ST. LOUIS, MO 63122-6689</p> <p>PH: 800-325-9504 (636-225-9400) FX: 636-225-2049</p> <p>WEBSITE: www.greenstreak.com EMAIL: info@greenstreak.com</p>	
						<p>TITLE: GREENSTREAK SPEED PLATE™ - ISOMETRIC VIEW</p>	
						REV	

PROJECT: _____

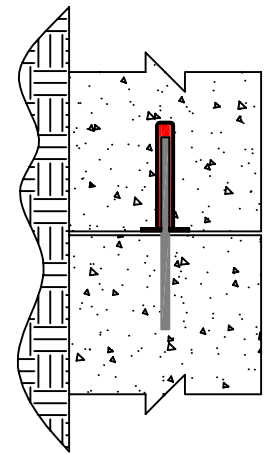
LOCATION: _____



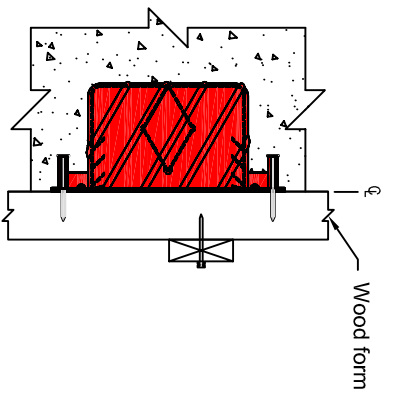
The form is stripped and the 4" X 6" Speed Plate™ is inserted into the slot; puncturing the lape seal and pushing the collapsible insert to the back of the Speed Plate™ sleeve.



The unique design of the Speed Plate™ system allows for the differential movement between slabs when the concrete shrinks.



SECTION VIEWS
SCALE: 1" = 6"



PLAN VIEWS
SCALE: 1" = 6"

- NOTES:**
- 1) Wide plate minimizes concrete bearing stress and reduces deflection across joint
 - 2) Allows the slab to shrink without restraint
 - 3) Reduces the flexural and shear stress in the plate at the joint
 - 4) Eliminates dowel misalignment and reduces internal stresses
 - 5) No need to drill forms (Reuse of forms increased)
 - 6) Greatly simplifies form removal
 - 7) Speed Plate™ system as manufactured by **Greenstreak Group, Inc. (800) 325-9504**.

REV. MARK	REVISION	BY	CHK	APP	DATE

DESIGNED:		DATE:	8/1/06
DRAWN:	CMD	PART NUMBER:	
CHECKED:		QUANTITY REQUIRED:	
APPROVED:		SCALE:	AS SHOWN
FAB. REF.:		DWG. REF. NO.:	GSK SP Installation
SHEET NUMBER:			

<p>GREENSTREAK</p> <p>3400 TREE CRT. IND. BLVD., ST. LOUIS, MO 63122-6689</p> <p>PH: 800-325-9504 (636-225-9400) FX: 636-225-2049</p> <p>WEBSITE: www.greenstreak.com EMAIL: info@greenstreak.com</p>	
<p>TITLE: GREENSTREAK SPEED PLATE™ - INSTALLATION</p>	
REV	