

SET IT  
AND FORGET IT.



## BEAST SCREED SYSTEM

### INSTALLATION INSTRUCTIONS:

1. Determine where to locate Beast Screed.
2. Clean the areas of the vapor barrier where Beast Foot will be placed.
3. Remove the release liner and install Beast Foot by applying downward pressure for a minimum of 5-10 seconds.
4. Cut the Beast Screed Post on the kerf line best suited for the designed depth of the slab.
5. Attach the adjustable cap to the screed post.
6. Insert the post and cap into the press-fit center hub of Beast Foot.
7. Using a laser level and check rod or grade rod, rotate the adjustable cap up or down to the proper elevation.
8. Once concrete is placed around Beast Screed, hand float a level pad around, and at the same elevation as Beast Screed, and use this pad as your elevation guide.
9. The adjustable cap and post may be removed for reuse.

For additional information, please refer to the complete installation instructions.



[www.stegoindustries.com/Beast](http://www.stegoindustries.com/Beast)

Stego, the stegosaurus design logo(s), Crete Claw, StegoTack, StegoCrawl, Beast, and the Beast design logo are all deemed to be registered and/or protectable trademarks of Stego Industries, LLC. © 2016 Stego Industries, LLC. Please see [www.stegoindustries.com/legal](http://www.stegoindustries.com/legal).

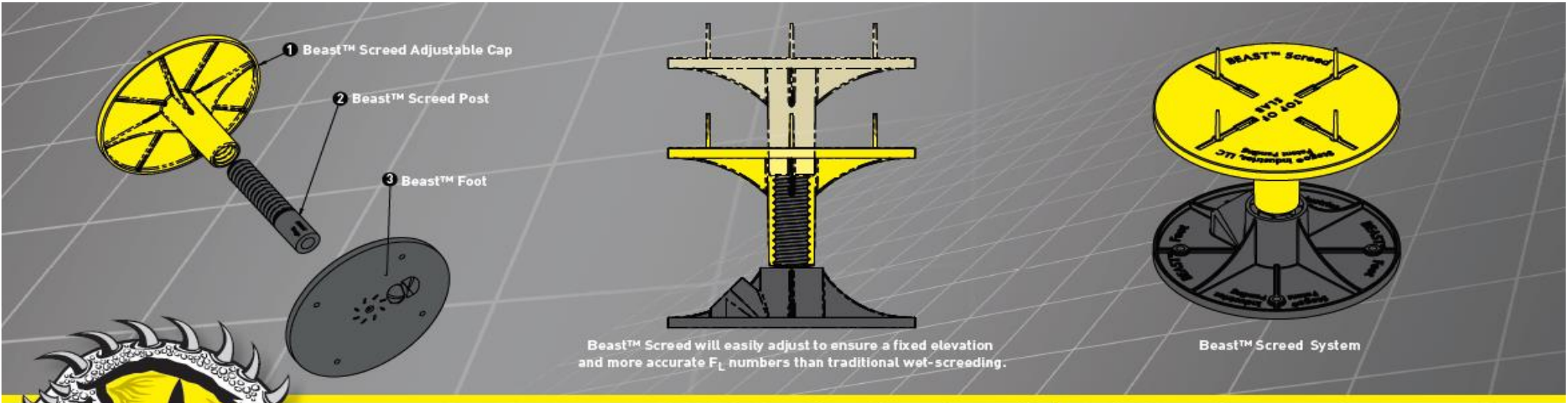


## BEAST SCREED SYSTEM

**SIMPLE.  
ACCURATE.  
REVOLUTIONARY.**

# CANZAC®

Under Slab - In Slab - On Slab®



## Keep an EYE on EFFICIENCY!

**Beast™ Screed** is a fixed-elevation, point-to-point guide screed system that allows you to maintain floor levelness during the screeding operation. **Set it and forget it.** This eliminates the need to frequently re-establish grade to ensure floor elevation has not changed during the screeding operation as is typical with traditional wet-screed methods.

The **Beast Screed System** is vapor barrier-safe, and helps easily satisfy the industry standard, ASTM E1643 *Standard Practice for Selection, Design, Installation, and Inspection of Water Vapor Retarders Used in Contact with Earth or Granular Fill Under Concrete Slabs.*

**Section 7.2** Use reinforcing bar supports with base sections that minimize the potential for puncture of the vapor retarder.

**Section 7.3** Avoid use of stakes driven through the vapor retarder.

The **Beast Screed System** consists of three unique components.

- 1. Beast Screed Adjustable Cap** with two inches of adjustability, Beast Screed will easily adjust to ensure a fixed elevation and more accurate  $F_L$  numbers than traditional wet-screeding.
- 2. Beast Screed Post** with slab elevation markings and easy-to-cut kerf lines, so Beast Screed can be customized to screed slabs from 4" to 12" in depth.
- 3. Beast Foot** includes an engineered peel-and-stick adhesive that is compatible with Stego Wrap Vapor Barrier. Beast Foot contains a press-fit center hub for the Beast Screed Post (or nail form stake), as well as a threaded side hub for a threaded nail stake for bracing applications.



The Beast Screed Post and Beast Screed Adjustable Cap are both meant to be re-used, while the Beast Foot is left at the base of the concrete slab. Concrete Contractors can save time and money, while increasing slab levelness with the new Beast Screed System.

**CANZAC®**

PO Box 3181, New Zealand

Phone: 03 343-4254 • Fax: 03 343-4237 • Freephone: 0800 422 692

info@canzac.com • [www.canzac.com](http://www.canzac.com)