

CANZAC[®]

Under Slab - In Slab - On Slab[®]

KEYJOINT FIXING INSTRUCTIONS



Position key joint in desired location and drive in the supplied pegs.

Note that the LONGEST FLANGE of the key joint always goes TO THE TOP.



Adjust the key joint to the correct height and secure by tapping in the supplied wedges.

If capping strips are to be used allow the appropriate set down distance and apply capping strip prior to pouring concrete.



Place the reinforcement and pour the concrete over the key joint. Finish concrete surface to the top of the joint (NOT ABOVE IT). Always pour concrete evenly to both sides of the joint and ensure concrete is compacted into the keyways.

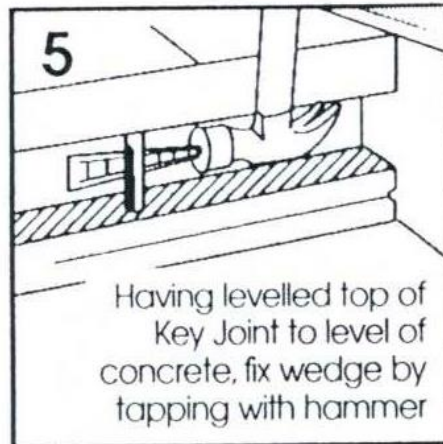
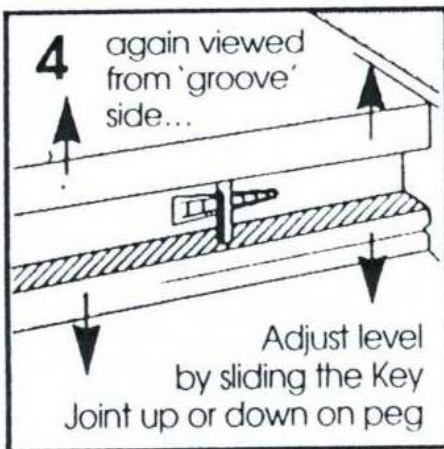
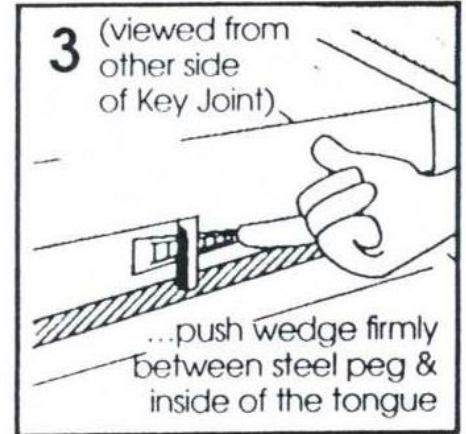
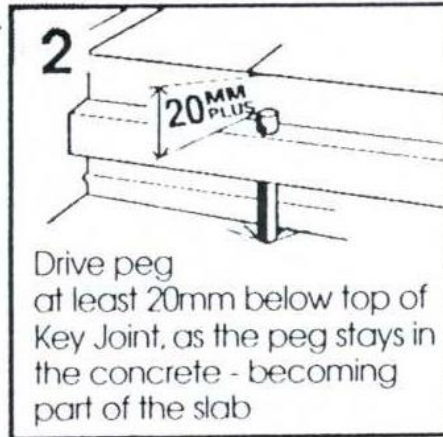
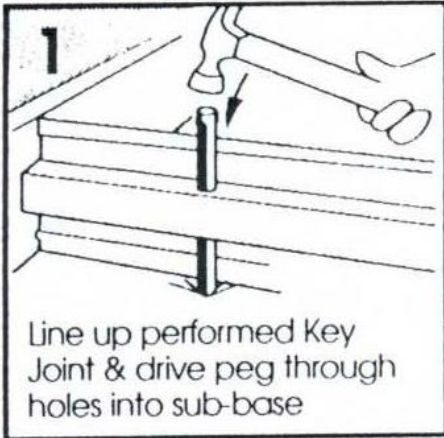
CANZAC[®]

PO Box 3181, 3 Parkhouse Road, Wigram, Christchurch, New Zealand

Phone: 03 343-4254 • Fax: 03 343-4237 • Freephone: 0800 422 692

info@canzac.com • www.canzac.com

KEYJOINT FIXING INSTRUCTIONS continued



Pour directly over top of KeyJoint to ensure concrete disperses over both sides.

This will help keep the KeyJoint aligned.



**FOR SITE SUPPORT PLEASE CALL
0800 422 692**

CANZAC®

PO Box 3181, 3 Parkhouse Road, Wigram, Christchurch, New Zealand
Phone: 03 343-4254 • Fax: 03 343-4237 • Freephone: 0800 422 692
info@canzac.com • www.canzac.com