

# CANZAC® ROADWARE

## 10 MINUTE CONCRETE MENDER

### Application Chart

### For Professional Use Only

### READ ALL DIRECTIONS CAREFULLY BEFORE USE!

#### Tools Recommended:



Roadware Sylcat 100. For easy dispensing of Roadware cartridges.



Sandblast silica sand - 30-40 manufactured silica sand. Do not use play sand, concrete sand, beach sand or any sand that may contain excess moisture.



100mm taping knife for repairs and a sharp scraper for shaving off cured material.



Gloves



Wire brush for cleaning cracks and spalls.



Safety Glasses



Grinder with diamond blade or twisted wire wheel for cleaning joints, cracks and spalls.



100mm taping knife or margin trowel for applying material and sand.



Shop vacuum for cleaning out and debris from joints, cracks and spalls.

## CANZAC®

PO Box 3181, Central Mail Centre 8140, Christchurch, 8042

Phone: 03 343-4254 • Fax: 03 343-4237

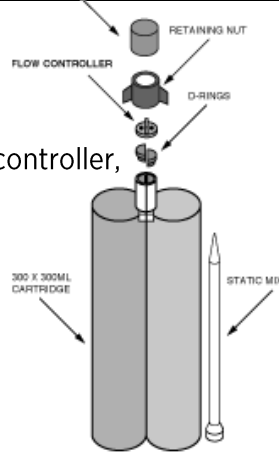
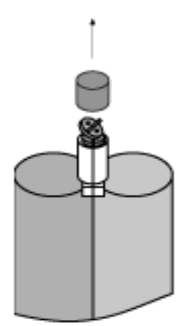
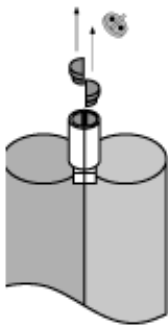
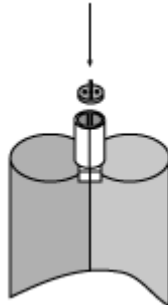
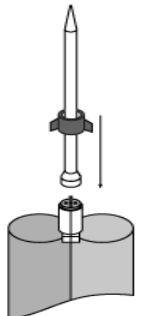
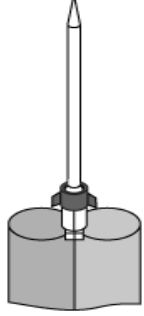
Email: [info@canzac.com](mailto:info@canzac.com) • [www.canzac.com](http://www.canzac.com)

Under Slab – In Slab – On Slab®

# Cartridge Assembly:

Some components of this material may have settled in shipping and storage. This natural occurrence may cause colour striations. These striations will not affect the performance of the repair and are cosmetic only.

To reduce striations, re-blend material. Invert the cartridges at 2 minute intervals, several times before use.

 <p>Each cartridge comes with a static mixer, flow retaining nut, D-plugs and protective overcap.</p>	<p>1.</p>  <p>Remove over cap. Flow controller is stowed under the overcap.</p>
<p>2.</p>  <p>Remove black D-ring and SAVE.</p>	<p>3.</p>  <p>Place the Flow Controller on of cartridge. Be Careful to align material openings.</p>
<p>4.</p>  <p>Place static mixer over the cartridge and secure with black retaining nut</p>	<p>5.</p>  <p>Tighten firmly with hands. <b>KEEP CARTRIDGE UPRIGHT UNTIL USE.</b></p>

**CANZAC®**

PO Box 3181, Central Mail Centre 8140, Christchurch, 8042

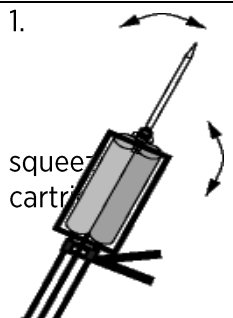
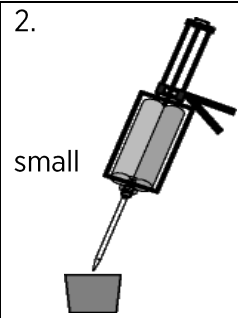

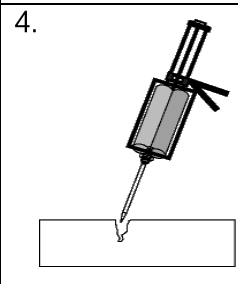
Phone: 03 343-4254 • Fax: 03 343-4237

Email: [info@canzac.com](mailto:info@canzac.com) • [www.canzac.com](http://www.canzac.com)

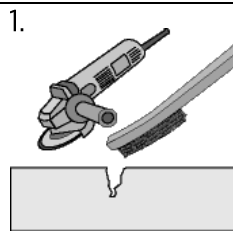
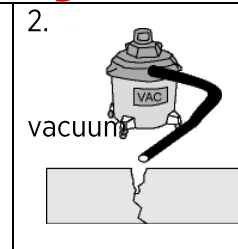
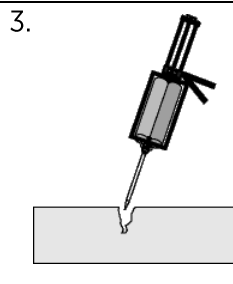
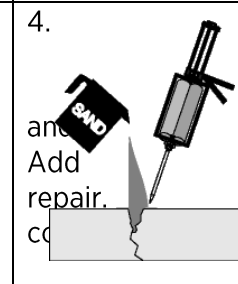
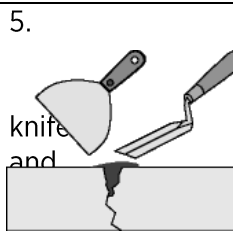
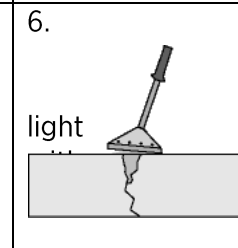
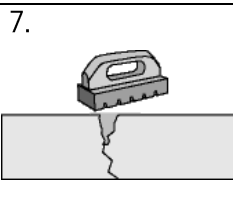
Under Slab – In Slab – On Slab®

# Cartridge Start-Up Procedure

**Note: it is extremely important to purge all air pockets from the cartridge before use to ensure good mixing.**

<p>1.</p>  <p>squeeze cartridge</p> <p>Hold cartridge upwards and load into gun. Bleed off any air inside the cartridge by slightly squeezing the handle &amp; rocking the gun from side to side as needed to force the air bubbles out through the mixer.</p>	<p>2.</p>  <p>Immediately point mixer into a waste container and apply a small amount to start the material mixing and to purge the mixer of off ratio material</p>
<p>3.</p>  <p><b>CAUTION: DO NOT POINT MIXER UPWARDS AFTER MATERIAL IS FLOWING!</b> This may cause back-flow and clogging.</p>	<p>4.</p>  <p>Apply material immediately, with sturdy full strokes of the gun.</p>

# Spalled Control Joint Repair

<p>1.</p>  <p>Clean repair area with a wire wheel or needle scaler. Remove all dirt, oils and loose debris.</p>	<p>2.</p>  <p>Remove any dust with a vacuum or compressor air.</p>
<p>3.</p>  <p>Pre-wet entire spall with 10 MINUTE MENDER.</p>	<p>4.</p>  <p>Immediately add silica sand and more 10 MINUTE MENDER. Add enough liquid to saturate the sand. Use enough liquid to slightly overfill repair.</p>
<p>5.</p>  <p>Use a margin trowel or tapping knife and to smooth and shape the sand material mortar.</p>	<p>6.</p>  <p>When material cures (turns grey), scrape off overbanding with a sharp scraper.</p>
<p>7.</p>  <p>Finish repair is open for all traffic. Any staining due to overbanding will quickly wear off or can be removed with a light sand</p>	

**CANZAC®**

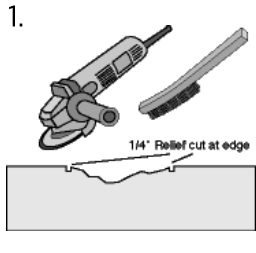
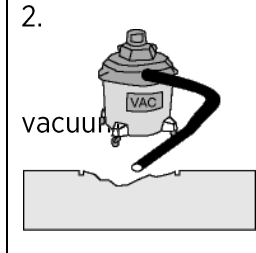
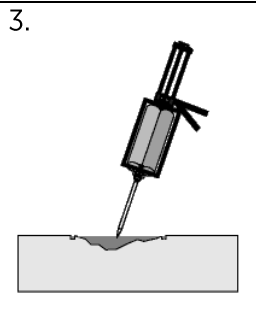
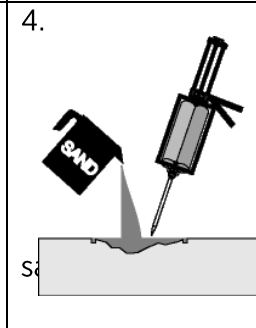
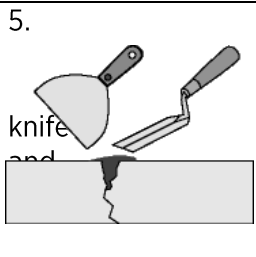
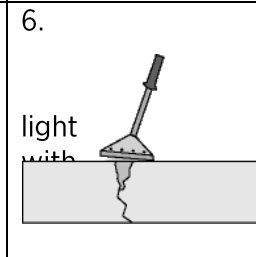
PO Box 3181, Central Mail Centre 8140, Christchurch, 8042

Phone: 03 343-4254 • Fax: 03 343-4237

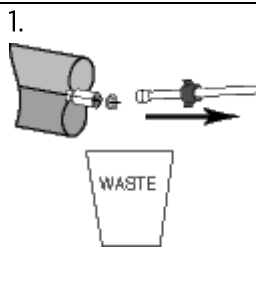
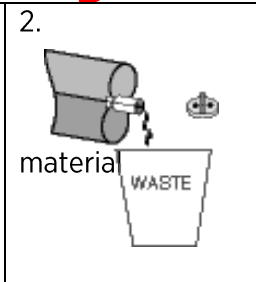
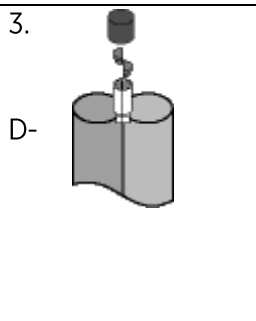
Email: info@canzac.com • www.canzac.com

Under Slab – In Slab – On Slab®

# Spall Repair, Crack Repair

<p>1.</p>  <p>Clean repair area with a wire wheel or needle scaler. Remove all dirt, oils and loose debris.</p>	<p>2.</p>  <p>Remove any dust with a vacuum or compressor air.</p>
<p>3.</p>  <p>Pre-wet entire spall with 10 MINUTE MENDER.</p>	<p>4.</p>  <p>Immediately add 12.5mm of silica sand and completely saturate with 10 MINUTE MENDER. Continue in 12.5mm lifts. Make certain all of the sand is saturated.</p>
<p>5.</p>  <p>Use a margin trowel or tapping knife and tapping to smooth and shape the sand and mortar.</p>	<p>6.</p>  <p>When material cures (turns grey), scrape off high spots with a sharp scraper. Smooth and finish with a rubbing stone.</p>

# Recapping Partially Used Tubes

<p>1.</p>  <p>Hold cartridge sideways over a waste container and remove retaining nut and mixer.</p>	<p>2.</p>  <p>Bleed off a few drops of material to clear out any cured product.</p>
<p>3.</p>  <p>Hold cartridge upright and place D-rings into the top ports. Screw down the retainer nut firmly.</p>	<p>Store upright in a cool, dry place. Material will remain usable for a varying amount of time depending on the moisture level of the storage area. Signs of moisture contamination are heavy caking and crystallization of the A-side material at the D-rings and the near seals.</p> <p>To use cartridge again, follow normal start-up procedures.</p>

**CANZAC®**

PO Box 3181, Central Mail Centre 8140, Christchurch, 8042

Phone: 03 343-4254 • Fax: 03 343-4237

Email: [info@canzac.com](mailto:info@canzac.com) • [www.canzac.com](http://www.canzac.com)

**Under Slab – In Slab – On Slab®**

## Clean Up

Wipe tool cleans with rag before material cures. Cured material may be removed by abrading with a wire brush or soaking in acetone, xylene, MEK or epoxy thinner. **Use extreme care when working with industrial solvents!**

10 MINUTE MENDER is very aggressive and will stain exposed skin. Gloves should be worn to keep material from contacting skin. In the event of skin contact, remove immediately with an industrial paint & stain remover.

## Action For Spills & Leaks

Properly protected personnel should contain spill. Ventilate area, cover spill with sawdust or other absorbent material. Scoop and place in open container and treat with decontamination solution, (93% water, 5% ammonia, 2% detergent). Leave open in a ventilated area for 24 hours.

## Disposal Method

Bury or landfill decontaminated waste in accordance with Federal, State and local environmental control regulations.

Empty cartridges may be disposed of with normal waste disposal methods in accordance with Federal, State and local environmental control regulations.

Unused material is best disposed of by mixing equal parts of side 'A' and side 'B' and allowed to cure in a waste container. Cured material may then be disposed

## Trouble Shooting

Every reasonable effort is made to insure every cartridge of Roadware Flexible Cement II is easy to use and trouble free. Below is a list of possible problems, their causes and suggested solutions. For more information or any questions please contact **CANZAC** on **0800 422 692**.

**Problem:** Material does not cure.

**Cause:** Material was not mixed properly.

**Solution:** Check for any blockage of cartridge openings.

**Problem:** Material is slow to cure.

**Cause:** This material will set in approx 10 minutes at 22C. Cooler concrete & sand temperatures will increase cure time.

**Problem:** Cartridge is hard to pump or surges off ratio.

**Possible Cause:** Rear plunger is sticking. Slight leakage (mostly found in partially used cartridges) has caused the 'A' (light coloured) material to crystallize on the plunger causing sticking and surging.

**Solution:** Carefully rim the skirt of the plunger seal with a small, flat screwdriver.

**Possible Cause:** Material has cured inside the static mixer.

**Solutions:** Replace static mixer.

**Problem:** Cured material shows intensive marbling and striations, or black spots.

**Possible Cause:** Inadequate mixing.

**Solution:** Follow start up procedures carefully. Make sure all air pockets are bled off before application. Use medium even strokes when applying material. of with normal methods.

**FOR ALL ON SITE ASSISTANCE PLEASE CALL**

**0800 422 692**

**CANZAC®**

PO Box 3181, Central Mail Centre 8140, 3 Parkhouse Road, Wigram, Christchurch, 8042

Phone: 03 343-4254 • Fax: 03 343-4237

Email: [info@canzac.com](mailto:info@canzac.com) • [www.canzac.com](http://www.canzac.com)

**Under Slab – In Slab – On Slab®**