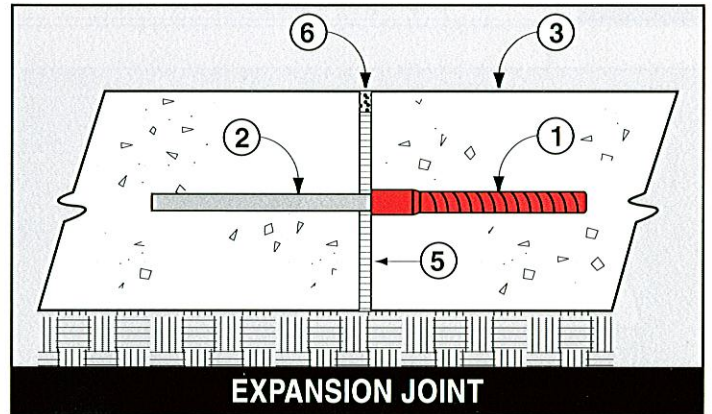
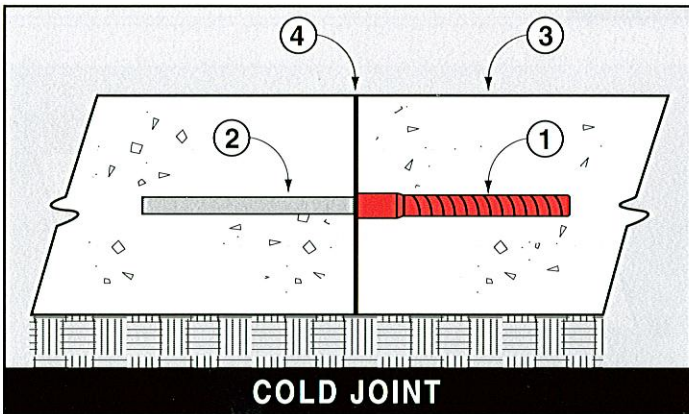
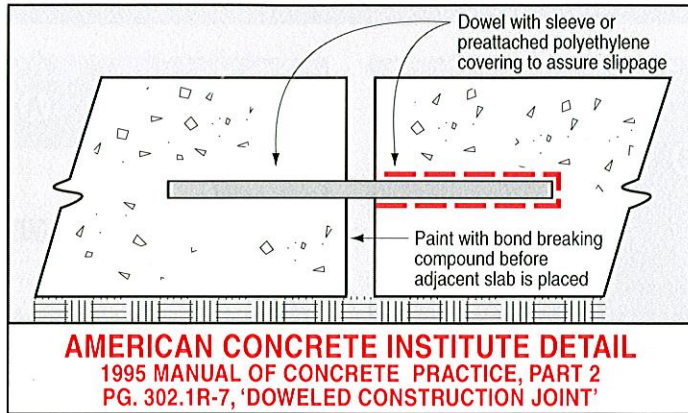




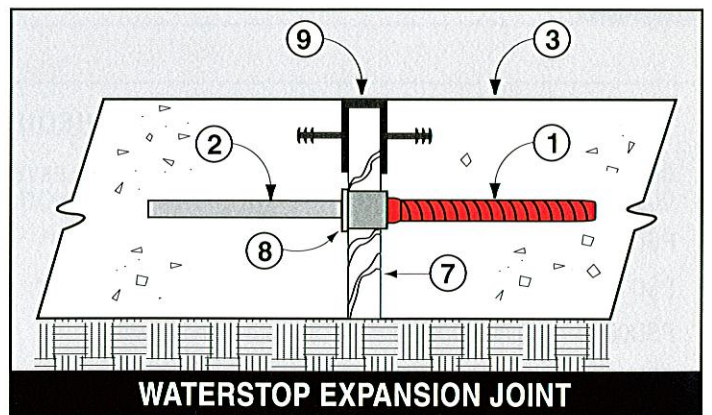
**SPEED DOWEL™**  
PATENTED CONCRETE DOWELING SYSTEM



**LEGEND**

1. Speed Dowel Sleeve	6. Caulked Joint
2. Steel Dowel	7. Expansion Board
3. Concrete Paving	8. Speed Dowel Mono-Pour Base Plate*
4. Cold Joint	9. Westec™ Cap Seal System**
5. Expansion Joint	

\* Call Speed Dowel for availability  
\*\* Westec™ is a trademark of Western Textile Corporation, Inc., St. Louis, MO



## COLD JOINT CONSTRUCTION SEQUENCE

