



Formwork Conduit & Cones



DESCRIPTION

These simple push on plastic cones and conduit, provide accurate clearance for formwork tie system, with 16mm or 20mm tie bars. Conduit supplied in 3 meter lengths.

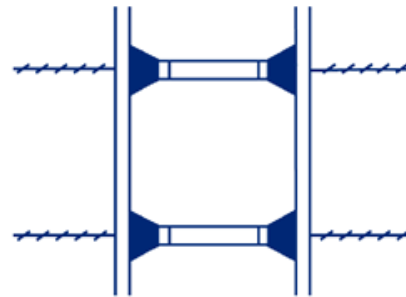
Product Code	Nominal	Qty Per Bag
	20mm	500
	25mm	500
		Qty Per Bundle
	20mm	25x3m
	25mm	25x3m

All dimensions are nominal and expresses in millimeters.

IDEAL FOR

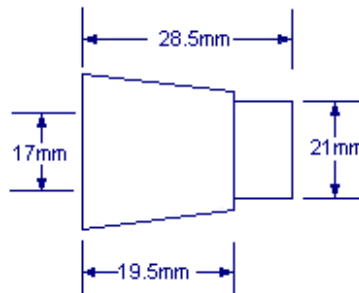
Formwork tie bars, suits 16 and 20mm tie bars.

APPLICATION

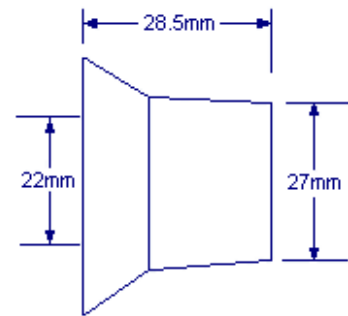


Formwork Ties

DIMENSIONS



FWCC20



FWCC25

CANZAC®

PO Box 3181, 50 Dakota Crescent, Sockburn, Christchurch, New Zealand

Phone: 03 343-4254 • Fax: 03 343-4237 • Freephone: 0800 422 692

info@canzac.com • www.canzac.com